

Rondo DUO® Exposed Grid Ceiling System

Seismic Design Form

Date
 Contractor Name
 Project Name
 Project Stage

Building Data

Country _____ Location _____
 Building Importance Level 2 3 4
 Note: For New Zealand, importance Level 5 buildings require a specific design. Contact your Rondo Technical Representative for details.
 Site Sub-Soil Class
 A/Ae (Strong Rock)
 B/Be (Rock)
 C/Ce (Shallow Soil - Most Conservative)
 D/De (Deep or Soft Soil)
 E/Ee (Very Soft Soil)

Imposed Load

Ceiling Tile Weight _____ kg/m²
 Insulation _____ kg/m²
 Other _____ kg/m²
 Total Lining Weight _____ kg/m²

Service Load Data

Service Load [U] _____ kg/m²
 (min 3.0 kg/m²)

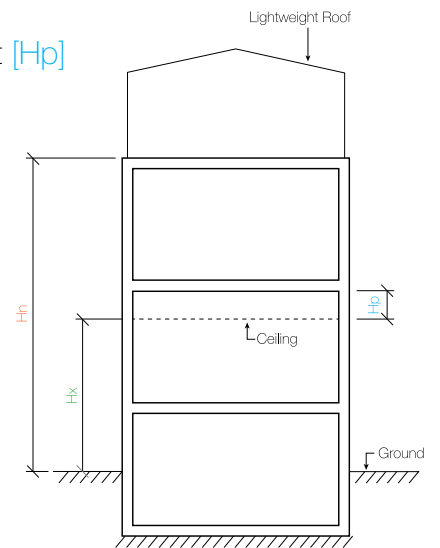
DUO® Installation Details

Grid Type	A (DUO 1-2)	B (DUO 1-2)
(Refer to Page 2)	C (DUO 1-2)	D (DUO 1-2)
	E (DUO 1-2)	F (DUO 1-2)
	G (DUO 1-2)	H (DUO 1-2)
	J (DUO 1-2)	

Geometry Data

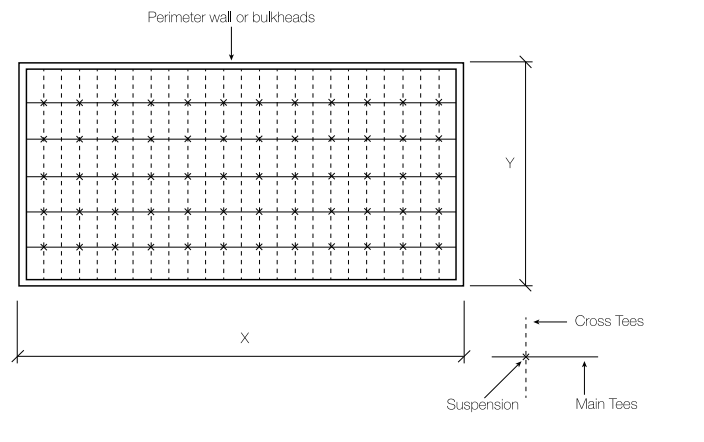
Total Height of Structure [Hn] _____ m
 Height of Ceiling Above Base [Hx] _____ m
 Ceiling Angle [α] _____ °

Max Plenum Height [Hp]
 0.600m
 1.000m
 1.400m
 1.800m
 2.400m



Room Dimensions

Width Parallel to Main-Tees [X] _____ m
 Width Parallel to Cross-Tees [Y] _____ m

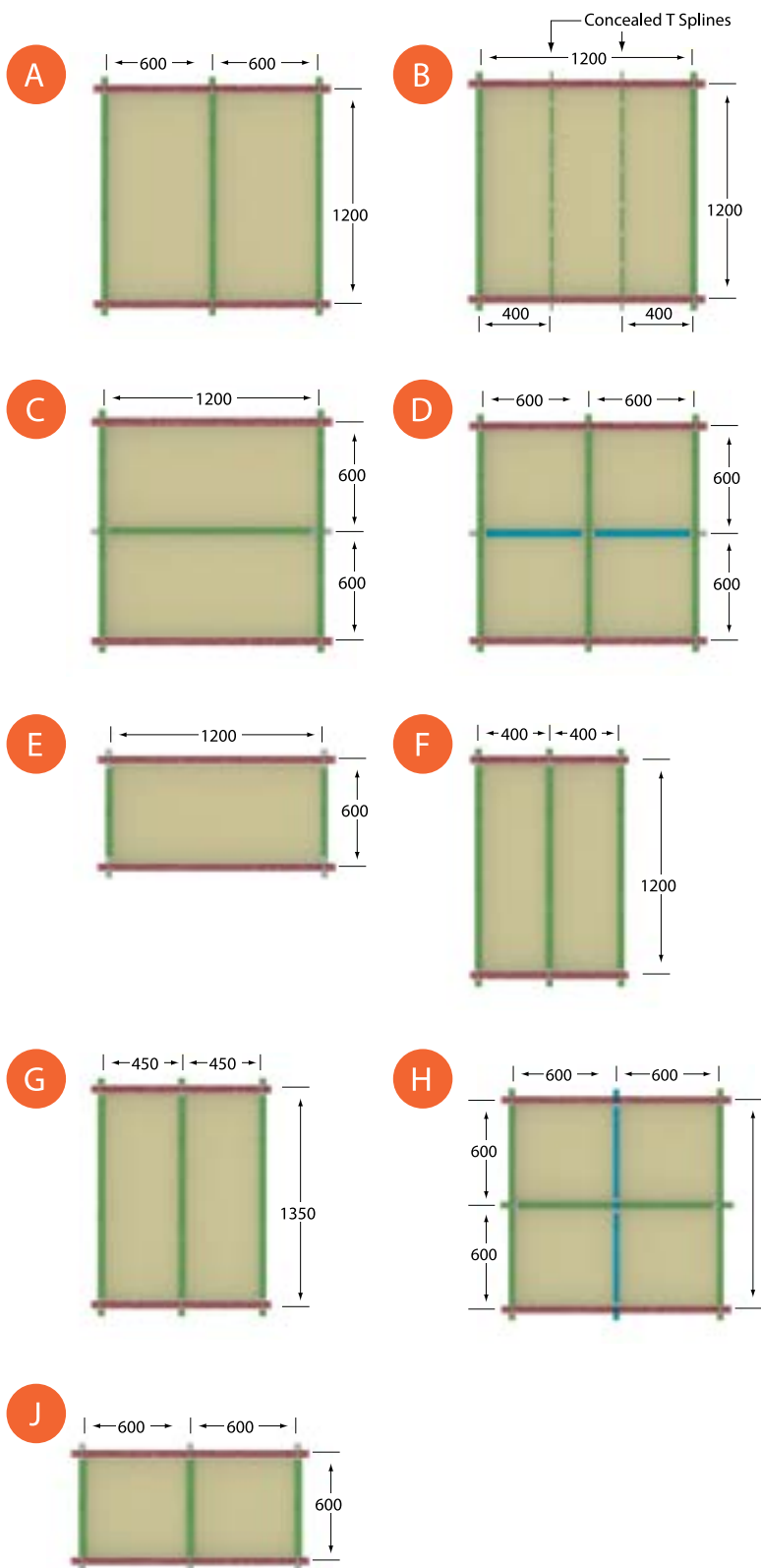


RONDO®

www.rondoglobal.com

Please email the completed form to your Rondo Technical Representative or rondo@rondo.com.au

DUO® Grid Type



RONDO®
www.rondoglobal.com

Please email the completed form to your Rondo Technical Representative or rondo@rondo.com.au